

## Features

- Compact Size
- Constant Voltage (CV)
- Input Voltage Range 220~240V AC
- Protection OVP, OLP, SCP
- Working Temperature -20°C ~ +45°C
- Class II Protection Design
- Flicker-free Design
- IP20



Certified to UKCA, TUV-GS, RoHS, REACH & IEC 61347-1/IEC 61347-2-13 Standards and complies with the relevant Efficiency Regulations. These are primarily used in LED Lighting Industries and customised solutions are available upon request.

### 150W Models

Model Number	DC Voltage (V)	Rated Current (A)	Rated Power (W)	Efficiency (%)	Ripple & Noise (mVp-p)
56YSL150F-12011000	12	11	132	90	400
56YSL150F-2406250	24	6.25	150	90	400
56YSL150F-3604166	36	4.16	150	90	400
56YSL150F-4803125	48	3.125	150	90	400

### Input Specifications

Input Voltage	220-240VAC/198-264VAC
Frequency Range	50-60Hz
AC Current	0.9AMAX@Full Load
Inrush Current	<65 Amps at 230VAC/50Hz@full load
Leakage Current	<0.25mA/240VAC
THD (Full Load)	<20%
Unload Power Consumption (W)	<0.5
Power Factor	≥0.9@Full Load 220-240VAC

### Output Specifications

Voltage Tolerance	±5.0%
Line Regulation	±3.0%
Load Regulation	±5.0%
Set up, Rise, Hold up Time	1s, 10ms/60ms 230VAC @ full load

### Protection

Overload	Protection type: Auto restore
	Protection type: Hiccup mode, recovers automatically after fault condition is removed.
Over Voltage	Protection type: Auto restore
	Protection type: Shut down o/p voltage, re-power on to recover
Short Circuit	Protection type: Auto restore

### Environmental Characteristics

Operating Temp TA	-20°C ~ +45°C
Storage Temp	-40°C ~ +85°C
Maximum Case Temperature Tc	+85°C
Humidity	20 ~ 95% RH
Lifetime	>30000hours@ta 40°C

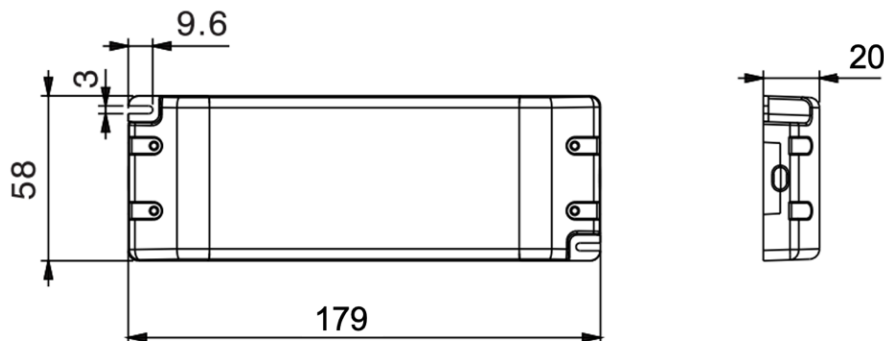
### Safety & EMC

Safety Standards	EN61347-2-13:2014+A1:2017,EN61347-1:2015;EN62493:2015
Withstand Voltage	I/P-O/P:3750VAC
Harmonic	EN61000-3-2 Class C EN61000-3-3
EMI	Compliance to EN55015
EMS	Compliance to EN61547:2009

### Other

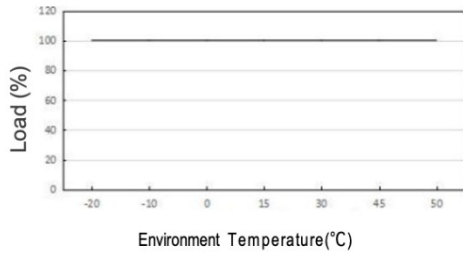
MTBF	200,000 Hours Minimum at Full Load at 25°C Ambient
Case Material and Size	Plastic
IP Grade	IP20
Size	179*58*20mm
Weight	330g / pcs
Packaging	50PCS/CTN,39*35*15cm

### Dimensions and Installation

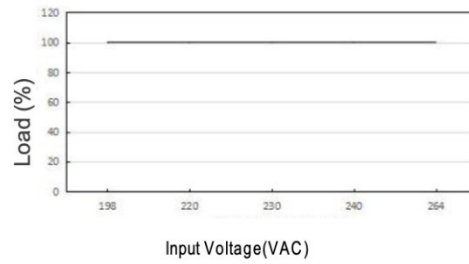


Curves

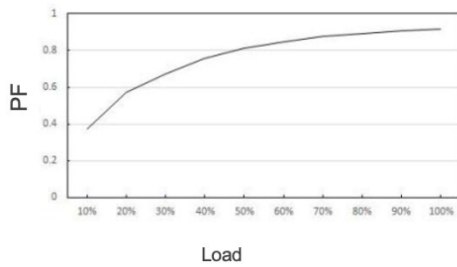
Deduction Curve and Temperature



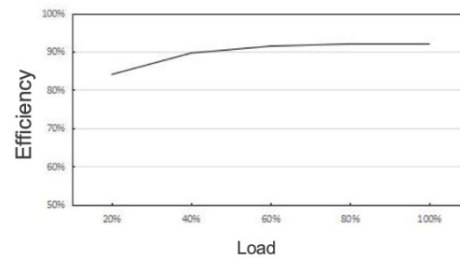
Minus Output and Input Voltage Curves



Power Factor (PF)



Efficiency vs load



Wiring Diagram

